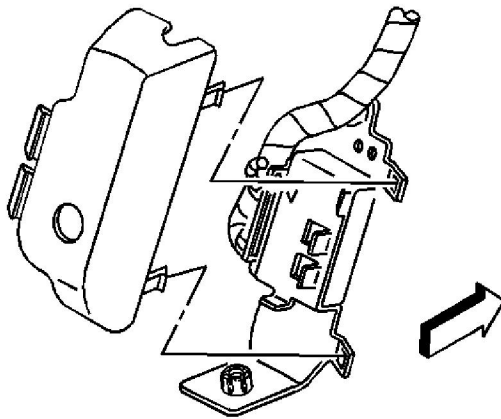


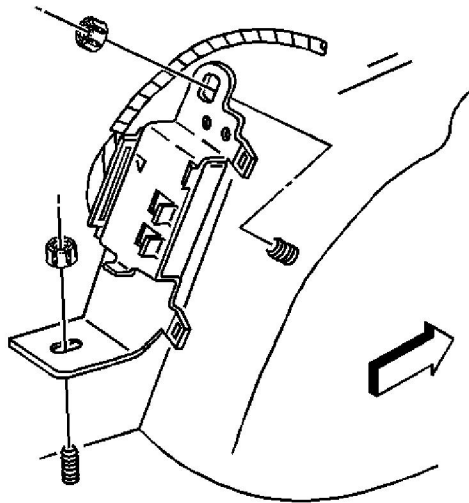
Communication Interface Module Replacement

Removal procedure

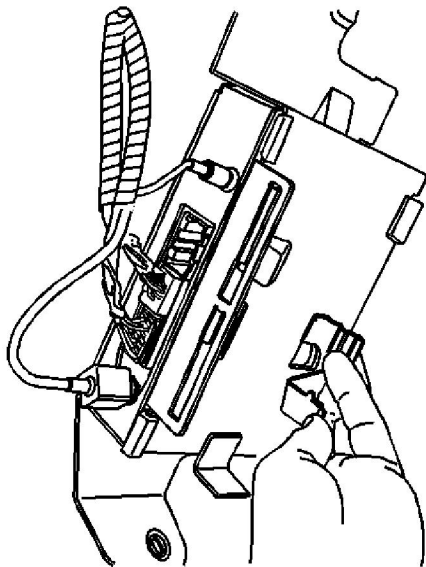
Important: The vehicle communication interface module (VCIM) has a specific set of unique numbers that tie the module to each vehicle. These numbers, the 10-digit station identification and the 11-digit electronic serial number, are used by the National Cellular Network and OnStar® to identify the specific vehicle. Because these numbers are tied to the vehicle identification number of the vehicle, you must never exchange these parts with those of another vehicle.



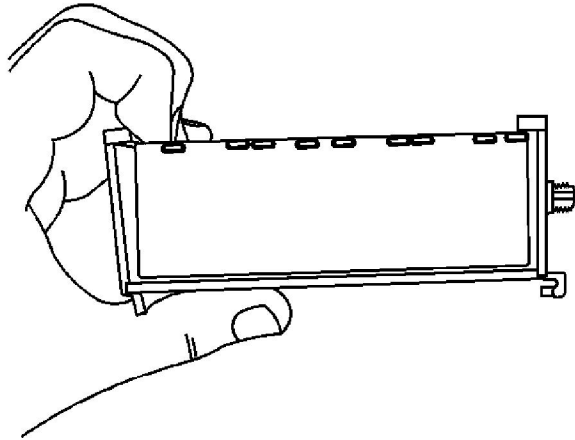
1. Open the rear compartment.
2. Remove the black plastic OnStar® cover.



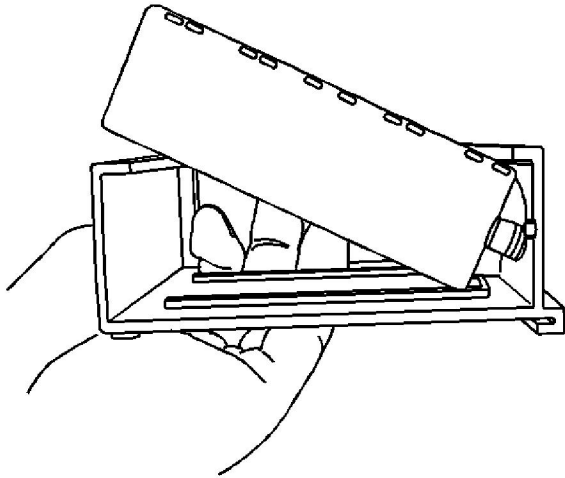
3. Remove the communication interface module nuts.
4. Adjust the assembly for access.



5. Disconnect the cellular antenna cable from the communication interface module by pulling outward on the square plastic housing.
6. Disconnect the 2 lower connectors from the module.
7. Disconnect the GPS antenna cable from the module by pulling outward on the circular metal sleeve.
8. Disengage the 2 large, plastic snap features at the inboard edge of the metal bracket, allowing the plastic bracket assembly to drop.
9. Push the plastic bracket assembly slightly outboard. Unhook the outboard plastic tabs.
10. Slide the plastic bracket assembly inboard, under the metal bracket. Remove the plastic bracket assembly from the metal bracket.

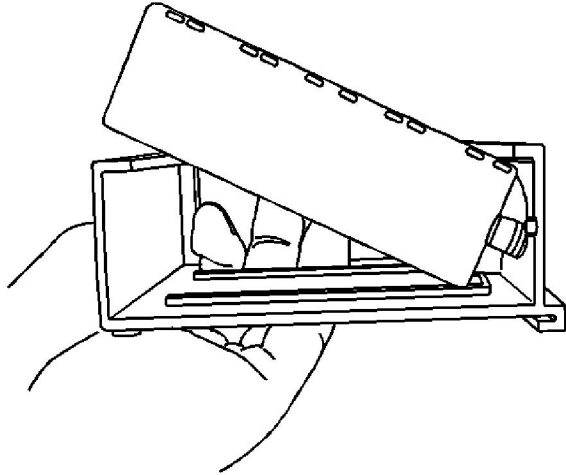


11. On bottom side of plastic bracket assembly, directly below the 2 large, plastic snap features, locate the under cut edge. Pull this under cut edge outward, up and over the side of the module.

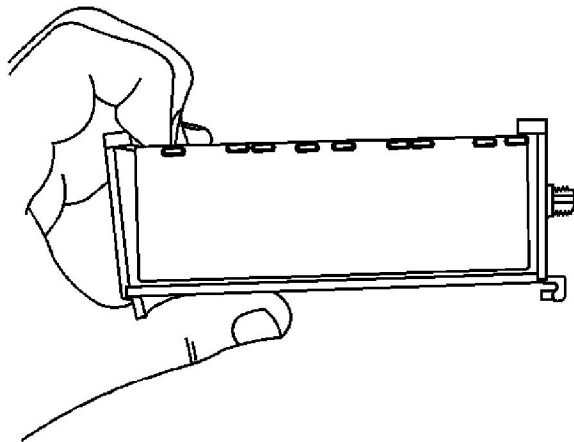


12. Note the orientation of the module in the plastic bracket for installation. Slide the module out of the plastic bracket.

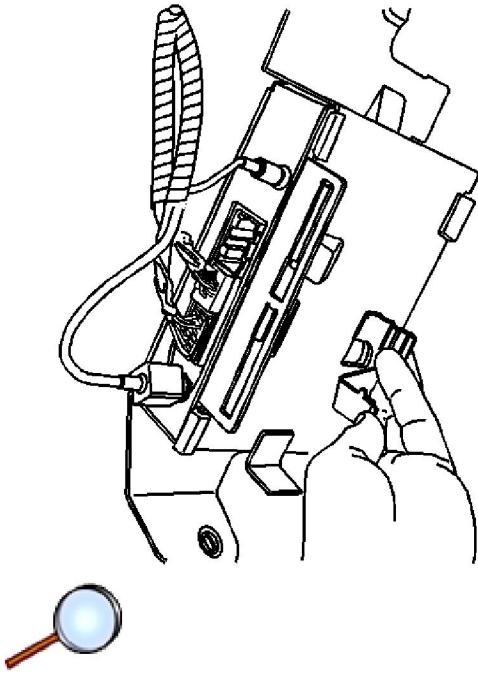
Installation Procedure



1. If you are replacing the VCIM, record the 10-digit standard identification (STID) number and the 11-digit electronic serial number (ESN) from the labels on the new module.
2. Align the connector side of the module to the large cutout on the plastic bracket. Insert the module into the plastic bracket. Make sure the small GPS connector is inserted into the small round hole in the plastic bracket.



3. Spread the large tang side of the plastic bracket over the edge of the module. The bottom, undercut edge of the plastic bracket will snap over the bottom of the module when fully seated.



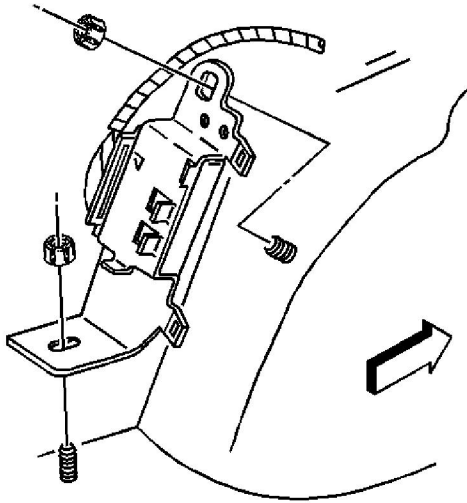
4. The connectors on the module must be outboard. Slide the plastic bracket assembly outboard, under the metal bracket.
5. Engage the outboard plastic tabs to the outboard edge of the metal bracket.
6. Squeeze the plastic bracket assembly upward until the large, plastic snap-fingers engage on the inboard edge of the metal bracket.

Notice: Before you install the antenna cable connector of the global positioning system (GPS) to the vehicle communication interface module (VCM), align the connector properly in order to avoid damaging the connector.

7. Gently connect the GPS antenna cable to the module by pushing inward on the circular metal sleeve.
8. Connect the 2 lower connectors to the module.
9. Connect the cellular antenna cable to the module by pushing inward on the square plastic housing.

Important: After replacing the vehicle communication interface module, you must reconfigure the OnStar® system. Failure to reconfigure the system will result in an additional customer visit for repair. In addition, pressing and holding the white dot button on the keypad will NOT reset this version of the OnStar® system. This action will cause a DTC to set.

10. Reconfigure the OnStar® system. Refer to [OnStar Reconfiguration](#) .



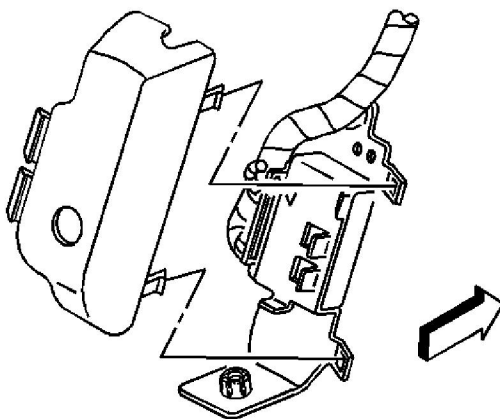
11. Position the assembly to the studs.

Notice: Refer to [Fastener Notice](#) in the Preface section.

12. Install the communication interface module nuts.

Tighten

Tighten the nuts to 4 N·m (35 lb in).



13. Install the plastic OnStar® cover.
14. Close the rear compartment.